



TATA HITACHI

Reliable solutions

# THE MINI MARVEL



**TMX20 neo**  
**Super**  
SERIES

Model : TMX20 neo | Rated Flywheel Power : 27.4 HP @ 2200 rpm | Operating : 2,300 kg | Bucket Capacity : 0.04 - 0.07 m<sup>3</sup>

# THE MINI MARVEL

TMX 20 *neo* is a smart machine promising high power, high fuel efficiency and high durability. Ensuring best in class performance and low running costs. Equipped with a reliable and powerful Japanese engine, improved structures, superior hydraulics & electricals. **TMX20 *neo*** is a powerful yet quiet mini excavator.

## High performance

- Reliable and powerful Japanese engine
- Class leading power of 27.4 HP
- Low engine noise



## Easy to transport

- Easily transportable on a small carrier / pick up vehicle.



**TMX 20 neo**  
*Super*  
 SERIES

## Low maintenance costs

- Best in class fuel efficiency
- Long service intervals
  - 4000 hrs hydraulic oil change
  - 500 hrs engine oil change
- Low operating costs
- Easy availability of spare parts and service



## Easy maneuverability

- Boom swing feature helps in maneuvering in tight spaces
- Compact footprint



## Versatile

- Suited for wide range of attachments.



## High return on investment

- Maximum productivity
- Least fuel consumption
- Low operating costs
- High reliability
- High resale value.



# SPECIFICATIONS

## ENGINE

Make..... Yanmar  
 Model ..... 3TNV88-BSTAH  
 Type..... 3 Cyl, Water Cooled, Diesel, DI  
 Rated Flywheel Power..... 27.4 HP @ 2200 rpm  
 Max. Torque..... 11 kgf-m @ 1320 rpm  
 Battery..... 12 V

## HYDRAULIC SYSTEM

Main Pumps ..... One gear pump  
 Flow Rate ..... 63.6 lpm

## SUPER STRUCTURE

Swing Speed ..... 11 rpm  
 Boom Swing Angle..... Left 50°, Right 90°

## RELIEF VALVE SETTINGS

Implement Circuit..... 150 kgf/cm<sup>2</sup>  
 Swing Circuit..... 145 kgf/cm<sup>2</sup>  
 Travel Circuit..... 150 kgf/cm<sup>2</sup>  
 Pilot Circuit..... 25 kgf/cm<sup>2</sup>

## UNDERCARRIAGE

Shoe Width..... 280 mm  
 No. of Track Shoes ..... 36 x 2  
 No. of Upper Rollers ..... 1 x 2  
 No. of Lower Rollers ..... 3 x 2  
 Travel Speed..... 0-1.64 ..... 3.27 km/h  
 Gradeability..... 30°(58%)

## SERVICE REFILL CAPACITIES

Hydraulic System ..... 70 ltr  
 Hydraulic Tank..... 45 ltr  
 Fuel Tank..... 37 ltr  
 Engine Coolant..... 7.5 ltr  
 Engine Oil..... 6.7 ltr  
 Travel Device (Each Side) ..... 0.8 ltr

## WEIGHTS AND GROUND PRESSURE

Operating Weight..... 2300 kg  
 Ground Pressure ..... 0.30 kg/cm<sup>2</sup>

## BACKHOE ATTACHMENT

Boom ..... 1900 mm  
 Arm ..... 1000 mm

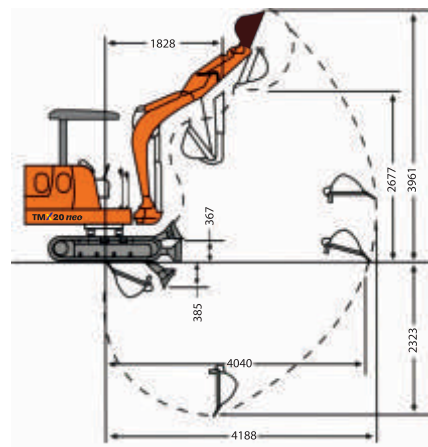
## BUCKETS

| Capacity (PCSA)     | Width with Side Cutters | Width w/o Side Cutters | Weight  | No. of Tooth Points |
|---------------------|-------------------------|------------------------|---------|---------------------|
| 0.04 m <sup>3</sup> | 350 mm                  | 310 mm                 | 42.5 kg | 3                   |
| 0.07 m <sup>3</sup> | 530 mm                  | 490 mm                 | 55 kg   | 4                   |

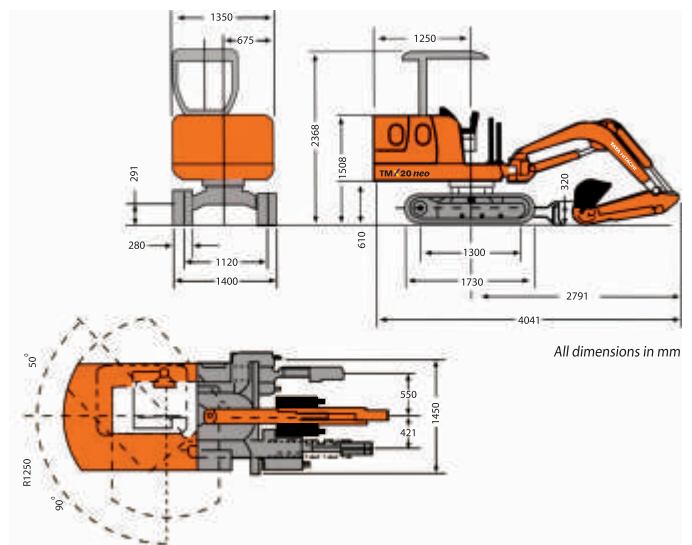
## DIGGING FORCES

Arm Crowd Force ..... 1300 kgf  
 Bucket Digging Force ..... 1890 kgf

## WORKING RANGE



## DIMENSIONS



## Tata Hitachi Construction Machinery Company Private Limited

Registered Office: Jubilee Building, 45 Museum Road, Bangalore, India 560025

Telephone: +91 80 6695 3301 / 02 / 03 / 04 / 05 | Toll Free : 1800 121 6633

Email: info@tatahitachi.co.in | Website: www.tatahitachi.co.in | [f](#) [v](#) [in](#) [@](#) [t](#)

These specifications are subject to change without prior notice. The machine depicted may vary from the actual machine. Please contact our nearest office for latest specifications. Accessories shown here are not part of the standard equipment. Performance of the machine may vary with site and operating conditions encountered.

Authorised Dealership